

## Interface Characteristics

### Rated & operational voltage ( $U_N / U_e$ )

415V a.c. 50Hz

### Rated insulation voltage ( $U_i$ )

690V a.c. 50Hz

### Rated impulse withstand voltage ( $U_{imp}$ )

4kV

### Rated current of the Assembly ( $I_{NA}$ )

JK1xxx 125A<sup>1</sup>

JK2xxx 250A<sup>1</sup>

<sup>1</sup>or rating of incoming circuit / incomer kit whichever is lower

### Rated current of an Outgoing circuit ( $I_{nc}$ )

MCB 0.5A - 63A (marked rated current on device)

RCBO 6A - 50A (marked rated current on device)

### Rated conditional short-circuit current of the ASSEMBLY ( $I_{cc}$ )

10kA<sup>1</sup> with equipment and arrangements specified in Hager's technical documentation / catalogue.

MCB/RCBO 10kA rating applied as BS EN 61439-3 is intended for use by ordinary persons.

<sup>1</sup>Current limitation characteristics specified in Hager's technical documentation / catalogue

### Protection against electric shock

DBO shall be installed in an electrical system conforming to IEC 60364 / BS 7671

### Rated diversity factor (RDF) / Values of assumed loading

4 way = 0.7

6 way - 8 way = 0.6

10 way - 24 way = 0.5

Note: RDF only applies to continuously and simultaneously loaded circuits.

### Rated frequency (fn)

50 Hz

### Pollution degree

2

### Types of system earthing for which the ASSEMBLY is designed

TNC-S, TN-S and TT when installed in an electrical system conforming to BS 7671

### Intended locations

Indoor use only

### Stationary ASSEMBLY

### Degree of protection

IP3XD with Door Closed

IP2XC with Door Open and compliment of outgoing devices and or blanks fitted.

### Intended use

Distribution boards intended to be operated by ordinary persons (DBO)

### Electromagnetic compatibility (EMC) classification

EMC Environment B

### External design

Wall-mounted, surface type, enclosed assembly.

### Mechanical impact protection

IK05

### The type of construction

Fixed parts

### DBO Type

Type B DBO

## Warranty

This distribution board is offered with a 24 month warranty against defective material or manufacture. If a warranty claim is necessary, please call the technical support number given at the bottom of the page and we will be pleased to help.

| Designation | H    | W   | D     | Weight (kg) |
|-------------|------|-----|-------|-------------|
| JK104B/BG   | 500  | 465 | 132.5 | 11          |
| JK106B/BG   | 550  | 465 | 132.5 | 12          |
| JK108B/BG   | 625  | 465 | 132.5 | 14          |
| JK112B/BG   | 850  | 465 | 132.5 | 16          |
| JK116B/BG   | 950  | 465 | 132.5 | 19          |
| JK118B/BG   | 1100 | 465 | 132.5 | 20          |
| JK124B/BG   | 1250 | 465 | 132.5 | 22          |
| JK208B/BG   | 950  | 465 | 165.5 | 14          |
| JK212B/BG   | 1100 | 465 | 165.5 | 16          |
| JK216B/BG   | 1250 | 465 | 165.5 | 20          |
| JK218B/BG   | 1400 | 465 | 165.5 | 21          |
| JK224B/BG   | 1550 | 465 | 165.5 | 23          |

## JK1 Incomer Kits

| Cat ref.   | No of Poles | Description                    |
|------------|-------------|--------------------------------|
| JK11003S   | 3           | Switch Disconnecter 100A       |
| JK11004S   | 4           | Switch Disconnecter 100A       |
| JK11253S   | 3           | Switch Disconnecter 125A       |
| JK11254S   | 4           | Switch Disconnecter 125A       |
| JK10634C   | 4           | Contacteur 63A                 |
| JK11004C   | 4           | Contacteur 100A                |
| JK11254D   | 4           | 125A Direct Connection         |
| JK10634RH  | 4           | RCCB 63A 30mA                  |
| JK11004RH  | 4           | RCCB 100A 30mA                 |
| JK11004RL  | 4           | RCCB 100A 300mA                |
| JK11004RLD | 4           | RCCB 100A 300mA (Time Delayed) |
| JK11004RM  | 4           | RCCB 100A 100mA                |
| JK11004RMD | 4           | RCCB 100A 100mA (Time Delayed) |
| JK11254CO  | 4           | Changeover Switch 125A         |

## Meter Kits

| Cat ref. | Description                                       |
|----------|---|
| JK140PM  | Digital Multi Function Meter Pack Pulsed & Modbus |
| JK240PM  | Digital Multi Function Meter Pack Pulsed & Modbus |

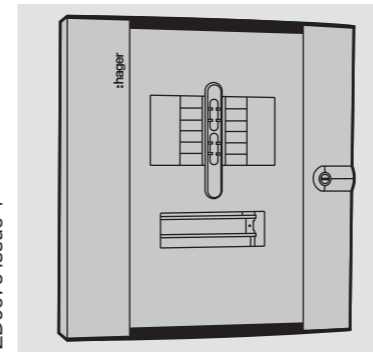
## JK2 Incomer Kits

| Cat ref.  | No of Poles | Description              |
|-----------|-------------|--------------------------|
| JK21003S  | 3           | Switch Disconnecter 100A |
| JK21004S  | 4           | Switch Disconnecter 100A |
| JK21253S  | 3           | Switch Disconnecter 125A |
| JK21253MC | 3           | MCCB 125A                |
| JK21254MC | 4           | MCCB 125A                |
| JK22503MC | 3           | MCCB 250A                |
| JK22504MC | 4           | MCCB 250A                |
| JK22503S  | 3           | Switch Disconnecter 250A |
| JK22504S  | 4           | Switch Disconnecter 250A |
| JK22504D  | 4           | 250A Direct Connection   |
| JK21604C  | 4           | Contacteur 160A          |

## Accessories

|           |                              |
|-----------|------------------------------|
| JK250SP   | 250A Single Phasing Kit      |
| JK01B     | Single Pole Blank            |
| JK222PK   | JK1 / JK2 Door Lock Kit      |
| JK1PLATEM | Gland Plate + Drill Markings |
| JK2PLATEM | Gland Plate + Drill Markings |

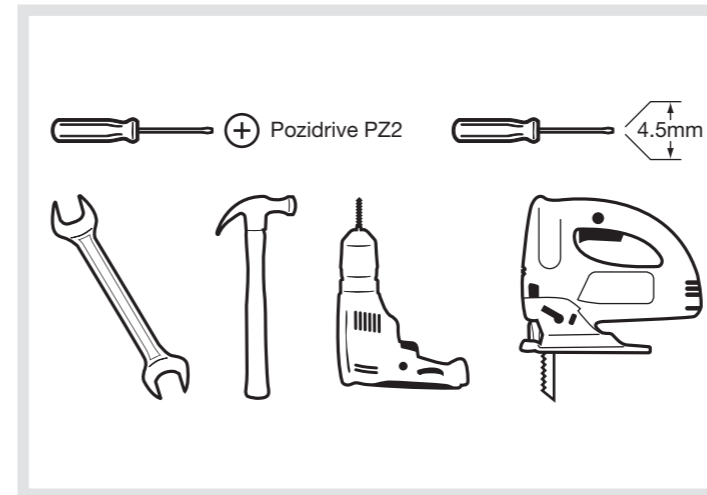
:hager



JK1\*\*\*B  
JK2\*\*\*B

ZD0675 issue 4

## Invicta 3



All product(s) must be installed by a suitably competent electrician giving consideration to their intended use and in accordance with the current edition of BS 7671 (IET Wiring Regulations).

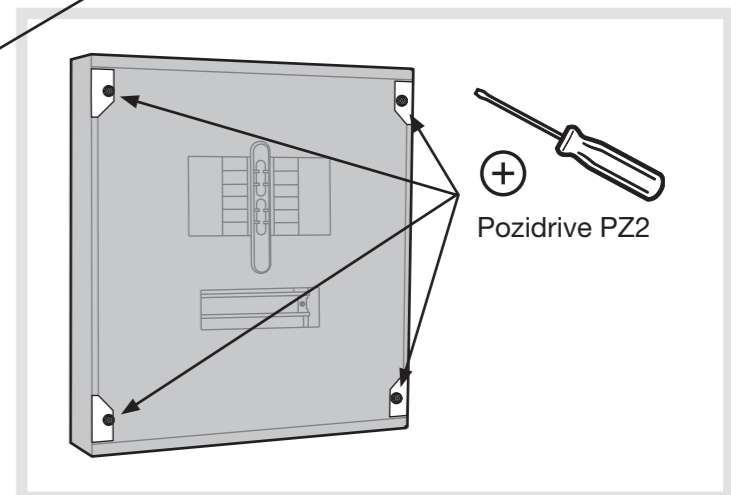
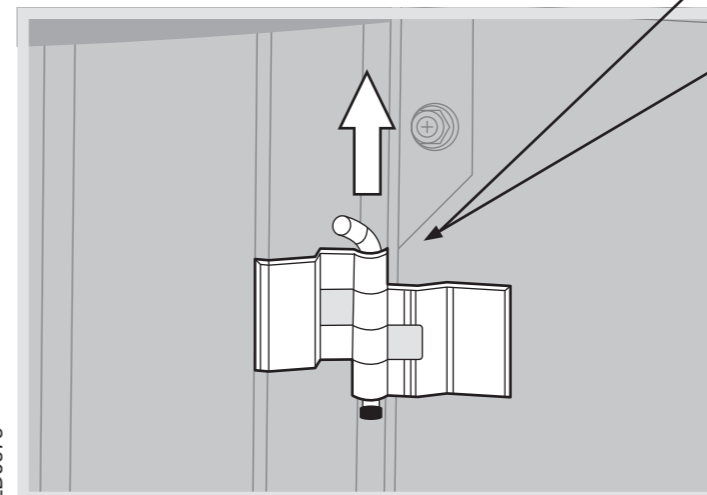
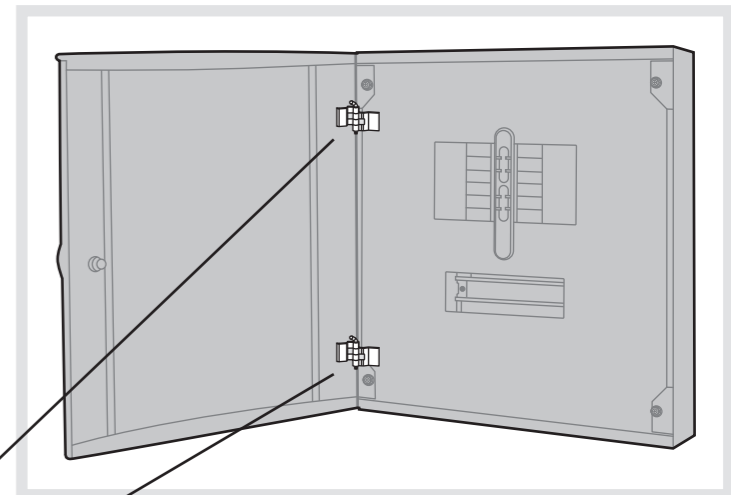
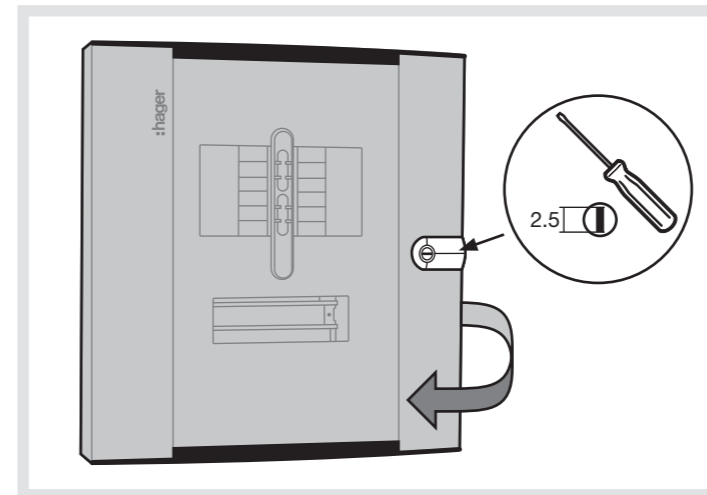
The Electricity at Work regulations and the Health and Safety at Work Act shall be complied with.

Only equipment and arrangements specified in Hager's technical documentation / catalogue shall be used

Install in the vertical plane only.

### Notice:

To prevent potential overheating from loose connections the installer shall check connections are tightened to the torque levels stated in these instructions prior to energising this board. This check should include factory made connections which may have loosened in transit.



ZD0675

